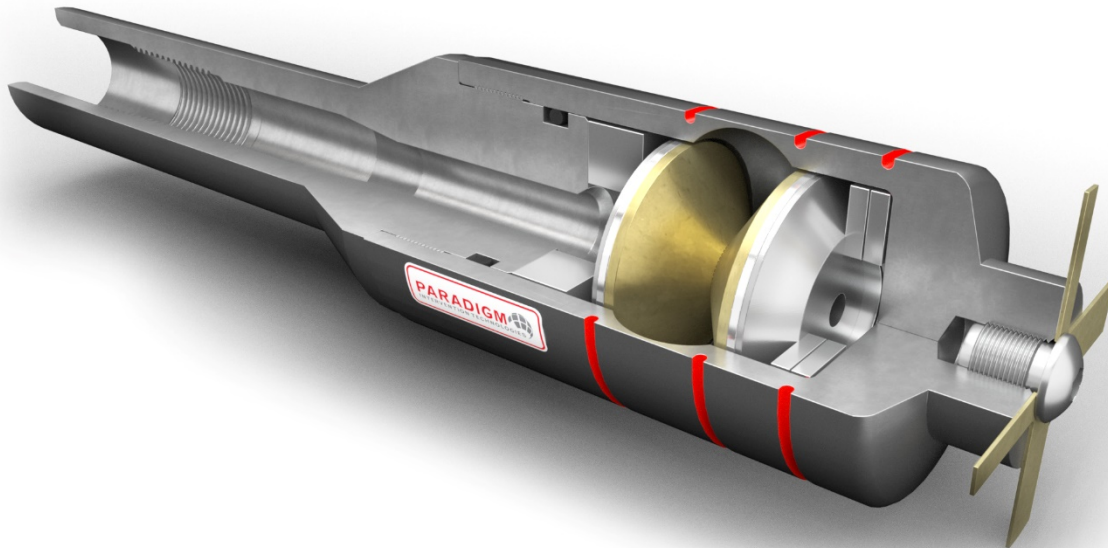


The CleanCut Coil Tubing Cutter is designed to cut common coil tubing sizes from 1" to 2", without damaging the outer string. The CleanCut Coil Tubing Cutter is an explosive jet cutter with patented technology making it the most advanced on the market.



Cuts are clean, similar in quality to chemical cutters which reduce the need for these high risk tools to be onsite. The CleanCut Coil Tubing Cutter also uses a patented quality assurance process to ensure each batch keeps within a certain cutting performance tolerance. Optionally for the larger CT sizes the CleanCut can be used with the Paradigm Intervention Technologies BSafe system making it immune to stray voltages.

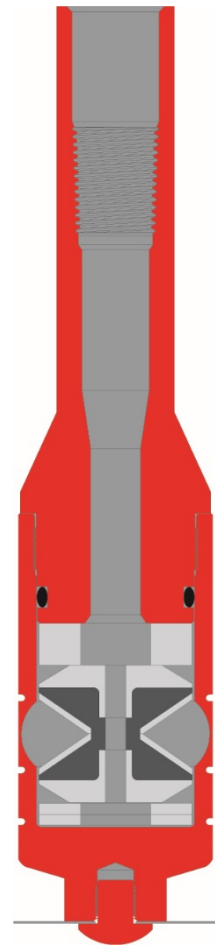
#### Features & Benefits:

- Alternative to Chemical Cutter and Radial Cutting Torch
- Can cut under tension or compression
- Can be used in fluid or gas
- HP/HT applications
- Flaring maximum of 10% on diameter
- Zero to minor pitting on external string
- Can be conveyed on wireline, slickline, Coil Tubing or tractor



CleanCut Flare Example

Specifications					
Tubing Cutter OD (Inch)	Application		Explosive Weight HMX (grams)	Temperature Rating (°F)	Pressure Rating (psi)
	Tubing Size (Inch)	Tubing Weight (ppf)			
0.687"	1.00"	.080"-.109"	2.00	1 Hr. @ 400°	18,000
0.800"	1.25"	.156"	3.00	1 Hr. @ 400°	18,000
0.820"	1.25"	.156"	3.00	1 Hr. @ 400°	18,000
0.875"	1.25"	.080"-.125"	3.00	1 Hr. @ 400°	18,000
1.000"	1.50"	.095"-.190"	3.00	1 Hr. @ 400°	18,000
1.188"	1.75"	.109"-.204"	6.25	1 Hr. @ 400°	18,000
1.250"	1.75"	.109"-.204"	6.25	1 Hr. @ 400°	18,000
1.375"	2.00"	.109"-.204"	7.00	1 Hr. @ 400°	18,000



Time vs Temperature Chart

